

KENWOOD

Document Copyrights

Copyright 2006 by Kenwood Corporation. All rights reserved.

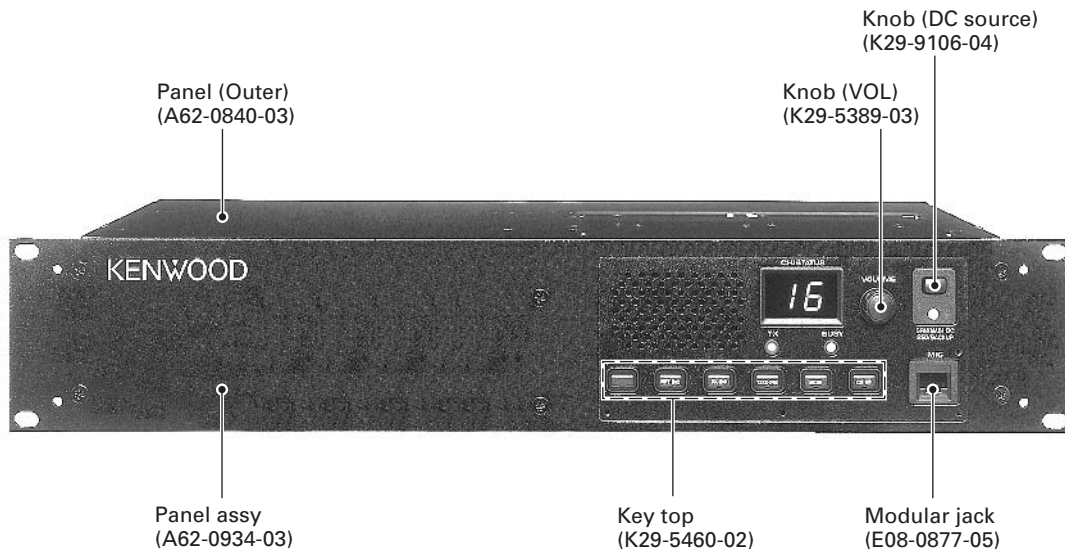
No part of this manual may be reproduced, translated, distributed, or transmitted in any form or by any means, electronic, mechanical, photocopying, recording, or otherwise, for any purpose without the prior written permission of Kenwood.

Disclaimer

While every precaution has been taken in the preparation of this manual, Kenwood assumes no responsibility for errors or omissions. Neither is any liability assumed for damages resulting from the use of the information contained herein. Kenwood reserves the right to make changes to any products herein at any time for improvement purposes.

This supplement to the Service Manual is available for products with serial number 50500011 (K,E,C), 51000011 (K2,K3,C3,C6) or later.

This Service Manual contains a parts list, schematic diagrams and PC boards of a new final unit for the TKR-850. Since the adjustment procedure is the same as before, refer to the Service Manual (B51-8557-20 : PDF only (K,K2,K3,E), B51-8568-10 (C,C3,C6)) for the TKR-850 for items not provided in this Service Manual.



CONTENTS

PARTS LIST	2
PC BOARD	
FINAL UNIT (X45-374X-XX)	4
SCHEMATIC DIAGRAM	8
EXPLODED VIEW	10
SPECIFICATIONS	11

TKR-850

PARTS LIST

* New Parts. Δ indicates safety critical components.

Parts without **Parts No.** are not supplied.

Les articles non mentionnés dans le **Parts No.** ne sont pas fournis.

Teile ohne **Parts No.** werden nicht geliefert.

L : Scandinavia

Y : PX (Far East, Hawaii)

Y : AAFES (Europe)

C : China

K : USA

T : England

X : Australia

P : Canada

E : Europe

M : Other Areas

TKR-850 (Y54-319X-XX)

FINAL UNIT (X45-374X-XX)

Ref. No.	Address	New parts	Parts No.	Description	Destination
TKR-850					
-			G02-0894-04	EARTH SPRING (FINAL FET)	
-			J21-8467-04	HARDWARE FIXTURE (DRIVE FET)	
FINAL UNIT (X45-374X-XX) 0-10 : K,E,C 0-11 : K2 0-12 : K3,C3 3-01 : C6					
C1			CC73GCH1H100D	CHIP C 10PF D	C6
C1			CC73GCH1H100D	CHIP C 10PF D	K2,K3,C3
C1			CK73GB1H471K	CHIP C 470PF K	K,E,C
C3			C90-2146-05	ELECTRO 100UF 25WV	
C6,7			CK73GB1H471K	CHIP C 470PF K	
C8			CC73GCH1H030C	CHIP C 3.0PF C	K2
C8			CC73GCH1H080D	CHIP C 8.0PF D	K,E,C
C8			CC73GCH1H100D	CHIP C 10PF D	K3,C3,C6
C10			CK73GB1H471K	CHIP C 470PF K	
C12-15			CK73GB1H471K	CHIP C 470PF K	
C17			CC73GCH1H050C	CHIP C 5.0PF C	K,E,C
C17			CC73GCH1H270J	CHIP C 27PF J	K2
C17			CC73GCH1H560J	CHIP C 56PF J	K3,C3,C6
C18,19			CK73GB1H471K	CHIP C 470PF K	
C20			CK73FB1H471K	CHIP C 470PF K	
C21			CC73FCH1H120J	CHIP C 12PF J	K,K2,E,C
C21			CC73FCH1H220J	CHIP C 22PF J	K3,C3,C6
C22			CC73FCH1H060D	CHIP C 6.0PF D	K,E,C
C22			CC73FCH1H090D	CHIP C 9.0PF D	K2
C22			CC73FCH1H120J	CHIP C 12PF J	K3,C3,C6
C23			CK73FB1H471K	CHIP C 470PF K	
C24			C90-4016-05	ELECTRO 47UF 16WV	
C25			CK73FB1E104K	CHIP C 0.10UF K	C6
C26			CC73GCH1H101J	CHIP C 100PF J	K3,C3,C6
C26			CC73GCH1H471J	CHIP C 470PF J	K,K2,E,C
C27			CK73GB1H471K	CHIP C 470PF K	
C28			CK73FB1E104K	CHIP C 0.10UF K	
C29			CK73GB1H471K	CHIP C 470PF K	
C30			CK73FB1E104K	CHIP C 0.10UF K	
C31			C93-0599-05	CHIP C 470PF K	
C32			C93-0556-05	CHIP C 6.0PF D	K2
C32			C93-0558-05	CHIP C 8.0PF D	C3
C32			C93-0558-05	CHIP C 8.0PF D	K,E,C,K3
C32			C93-0560-05	CHIP C 10PF D	C6
C33,34			C93-0566-05	CHIP C 33PF J	K,K2,E,C
C33,34			C93-0567-05	CHIP C 39PF J	K3,C3
C33,34			C93-0568-05	CHIP C 47PF J	C6
C35			C93-0599-05	CHIP C 470PF K	
C36			CK73FB1E104K	CHIP C 0.10UF K	
C38			CK73GB1H471K	CHIP C 470PF K	
C39			C93-0563-05	CHIP C 18PF J	K3,C3
C39			C93-0564-05	CHIP C 22PF J	C6
C40			C93-0669-05	CERAMIC 30PF 500WV	K,K2,E,C
C41			C93-0599-05	CHIP C 470PF K	
C43			CM73F2H120J	CHIP C 12PF J	K2
C43			CM73F2H180J	CHIP C 18PF J	K,E,C
C43			CM73F2H220J	CHIP C 22PF J	K3,C3
C43			CM73F2H390J	CHIP C 39PF J	C6
C44			C93-0556-05	CHIP C 6.0PF D	K,E,C
C44			C93-0560-05	CHIP C 10PF D	K3,C3,C6
C46			C93-0599-05	CHIP C 470PF K	
C48			CK73GB1H471K	CHIP C 470PF K	
C49			CC73GCH1H101J	CHIP C 100PF J	

Ref. No.	Address	New parts	Parts No.	Description	Destination
C50			CK73FB1E104K	CHIP C 0.10UF K	
C51			C90-2143-05	ELECTRO 47UF 25WV	
C52			CC73GCH1H101J	CHIP C 100PF J	
C53			CK73FB1E104K	CHIP C 0.10UF K	
C54			C90-2146-05	ELECTRO 100UF 25WV	
C55			C93-0599-05	CHIP C 470PF K	
C59			CM73F2H090D	CHIP C 9.0PF D	K2
C59			CM73F2H100D	CHIP C 10PF D	K,E,C
C59			CM73F2H120J	CHIP C 12PF J	K3,C3
C59			CM73F2H270J	CHIP C 27PF J	C6
C60			C93-0556-05	CHIP C 6.0PF D	K2
C60			C93-0558-05	CHIP C 8.0PF D	K3,C3
C60			C93-0560-05	CHIP C 10PF D	C6
C61			CM73F2H471J	CHIP C 470PF J	
C69			CC73GCH1H101J	CHIP C 100PF J	
C70			CK73FB1E104K	CHIP C 0.10UF K	
C71,72			CK73GB1H471K	CHIP C 470PF K	
C75			CK73GB1H471K	CHIP C 470PF K	
C77			CC73GCH1H101J	CHIP C 100PF J	
C78			CK73GB1H471K	CHIP C 470PF K	
C79			CK73FB1E104K	CHIP C 0.10UF K	
C80			C92-0777-05	ELECTRO 1000UF 25WV	
C81			CM73F2H471J	CHIP C 470PF J	
C83			C93-0555-05	CHIP C 5.0PF C	K2
C83			C93-0556-05	CHIP C 6.0PF D	K,E,C
C83			C93-0557-05	CHIP C 7.0PF D	K3,C3
C83			C93-0560-05	CHIP C 10PF D	C6
C86			C93-0558-05	CHIP C 8.0PF D	K2
C86			C93-0560-05	CHIP C 10PF D	K,E,C
C86			C93-0561-05	CHIP C 12PF J	K3,C3
C86			C93-0563-05	CHIP C 18PF J	C6
C88			C93-0556-05	CHIP C 6.0PF D	K3,C3
C89			C93-0555-05	CHIP C 5.0PF C	K,K2,E,C
C89			C93-0560-05	CHIP C 10PF D	C6
C91-98			CK73GB1H471K	CHIP C 470PF K	
C99			CK73FB1E104K	CHIP C 0.10UF K	
C100-102			CK73GB1H471K	CHIP C 470PF K	
C103			C92-0628-05	CHIP-TAN 10UF 10WV	
C104			CC73GCH1H101J	CHIP C 100PF J	
C105			CK73GB1H471K	CHIP C 470PF K	
C106			CK73FB1E104K	CHIP C 0.10UF K	
C107			CC73GCH1H101J	CHIP C 100PF J	
C108			CK73FB1E104K	CHIP C 0.10UF K	
C109			CC73GCH1H101J	CHIP C 100PF J	
C112			CK73GB1H471K	CHIP C 470PF K	
C113			CK73FB1E104K	CHIP C 0.10UF K	
C114			CK73GB1H471K	CHIP C 470PF K	
C115			CK73FB1E104K	CHIP C 0.10UF K	
C116			CK73GB1H471K	CHIP C 470PF K	
C117			CK73FB1E104K	CHIP C 0.10UF K	
C118			C93-0555-05	CHIP C 5.0PF C	K,E,C
C119			CK73GB1H471K	CHIP C 470PF K	K,E,C
C120			CK73FB1H223K	CHIP C 0.022UF J	
C121,122			CM73F2H150J	CHIP C 15PF J	K,E,C
C121,122			CM73F2H180J	CHIP C 18PF J	K2,K3,C3
C121,122			CM73F2H220J	CHIP C 22PF J	C6
C123			CM73F2H240J	CHIP C 24PF J	K2
C123,124			CM73F2H220J	CHIP C 22PF J	K,E,C
C123,124			CM73F2H270J	CHIP C 27PF J	K3,C3,C6

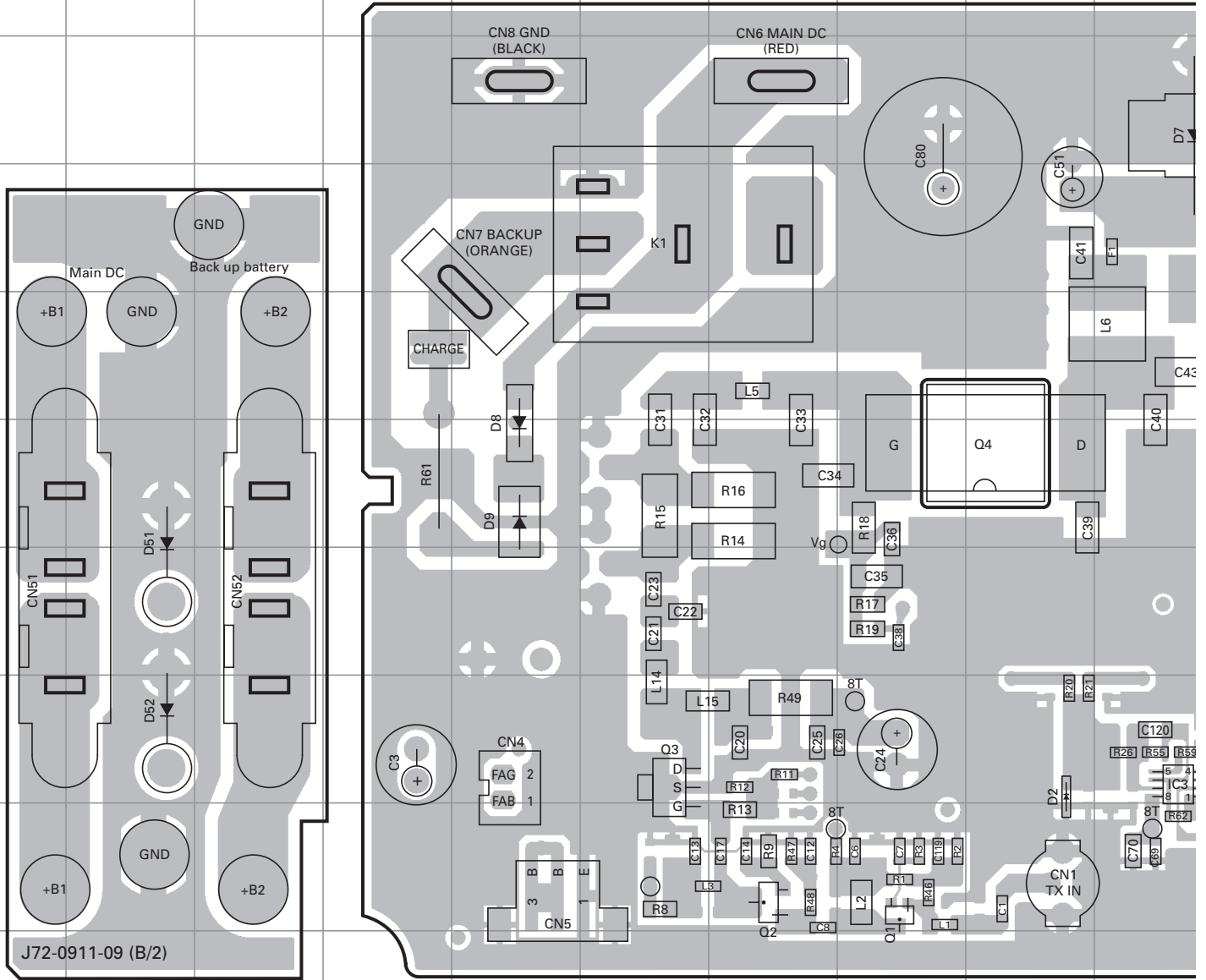
PARTS LIST

FINAL UNIT (X45-374X-XX)

Ref. No.	Address	New parts	Parts No.	Description	Destination	Ref. No.	Address	New parts	Parts No.	Description	Destination
C124			CM73F2H180J	CHIP C 18PF J	K2	R22			R92-1215-05	CHIP R 470 J 1/2W	
C160			CM73F2H471J	CHIP C 470PF J		R23			RK73FB2A104J	CHIP R 100K J 1/10W	K2
CN1			E04-0154-05	PIN SOCKET		R23,24			RK73FB2A104J	CHIP R 100K J 1/10W	C3,C6
CN3			E40-5632-05	PIN ASSY		R23,24			RK73FB2A104J	CHIP R 100K J 1/10W	K,E,C,K3
CN4			E40-3246-05	PIN ASSY		R24			RK73FB2A124J	CHIP R 120K J 1/10W	K2
CN5			E40-5703-05	PIN ASSY		R26			RK73GB1J101J	CHIP R 100 J 1/16W	
CN6-8			E23-0462-05	TERMINAL		R31			RK73GB1J224J	CHIP R 220K J 1/16W	
F1			F53-0190-05	FUSE		R33			R92-0670-05	CHIP R 0 OHM	
CN51,52			J13-0071-05	FUSE HOLDER		R34			R92-1252-05	CHIP R 0 OHM J 1/16W	
L1			L40-1075-92	SMALL FIXED INDUCTOR (10NH)	K,K2,E,C	R35			RK73GB1J104J	CHIP R 100K J 1/16W	
L1			L40-3963-92	SMALL FIXED INDUCTOR (3.9NH)	K3,C3,C6	R36			R92-1252-05	CHIP R 0 OHM J 1/16W	
L2			L40-1075-34	SMALL FIXED INDUCTOR (10NH)	K,E,C	R37			R92-0670-05	CHIP R 0 OHM	
L2			L40-1875-34	SMALL FIXED INDUCTOR (18NH)	K2	R38			RK73GB1J473J	CHIP R 47K J 1/16W	
L2			L40-2775-34	SMALL FIXED INDUCTOR (27NH)	K3,C3,C6	R40			RK73FB2A101J	CHIP R 100 J 1/10W	
L3			L40-1875-92	SMALL FIXED INDUCTOR (18NH)	K,E,C	R41			R92-1252-05	CHIP R 0 OHM J 1/16W	
L3			L40-4763-92	SMALL FIXED INDUCTOR (4.7NH)	K2	R43			RK73FB2A101J	CHIP R 100 J 1/10W	
L3			L40-8265-92	SMALL FIXED INDUCTOR (8.2NH)	K3,C3,C6	R44			R92-0670-05	CHIP R 0 OHM	
L5			L41-6865-20	SMALL FIXED INDUCTOR		R45			RK73GB1J102J	CHIP R 1.0K J 1/16W	
L6,7			L34-4517-05	AIR-CORE COIL		R46			RK73GB1J471J	CHIP R 470 J 1/16W	K,E,C
L8			L40-1085-34	SMALL FIXED INDUCTOR (100NH)	C6	R46			R92-1252-05	CHIP R 0 OHM J 1/16W	K2,K3,C3
L8			L40-3975-34	SMALL FIXED INDUCTOR (39NH)	K,K2,E,C	R47			RK73GB1J222J	CHIP R 2.2K J 1/16W	K,E,C
L8			L40-6875-34	SMALL FIXED INDUCTOR (68NH)	K3,C3	R47			RK73GB1J332J	CHIP R 3.3K J 1/16W	C6
L9			L34-4517-05	AIR-CORE COIL		R47			RK73GB1J332J	CHIP R 3.3K J 1/16W	K2,K3,C3
L11			L34-4517-05	AIR-CORE COIL		R48			RK73GB1J471J	CHIP R 470 J 1/16W	
L12			L34-4523-05	AIR-CORE COIL		R49			R92-1217-05	CHIP R 0 OHM	
L14			L40-1575-34	SMALL FIXED INDUCTOR (15NH)	K,E,C	R50			R92-1317-05	CHIP R 18 J 1W	
L14,15			L40-1075-34	SMALL FIXED INDUCTOR (10NH)	C6	R51			RK73GB1J104J	CHIP R 100K J 1/16W	
L14,15			L40-1075-34	SMALL FIXED INDUCTOR (10NH)	K2,K3,C3	R52			RK73GB1J393J	CHIP R 39K J 1/16W	
L15			L40-1075-34	SMALL FIXED INDUCTOR (10NH)	K,E,C	R53			RK73GB1J154J	CHIP R 150K J 1/16W	
R1			RK73GB1J103J	CHIP R 10K J 1/16W		R54			RK73GB1J102J	CHIP R 1.0K J 1/16W	
R2			RK73GB1J222J	CHIP R 2.2K J 1/16W	K,E,C	R55			RK73GB1J474J	CHIP R 470K J 1/16W	
R2			RK73GB1J472J	CHIP R 4.7K J 1/16W	C6	R56			RK73GB1J473J	CHIP R 47K J 1/16W	
R2			RK73GB1J472J	CHIP R 4.7K J 1/16W	K2,K3,C3	R57			RK73GB1J471J	CHIP R 470 J 1/16W	
R3			RK73GB1J470J	CHIP R 47 J 1/16W		R58			RK73GB1J222J	CHIP R 2.2K J 1/16W	
R4			RK73GB1J100J	CHIP R 10 J 1/16W	C6	R59			RK73GB1J471J	CHIP R 470 J 1/16W	
R4			RK73GB1J100J	CHIP R 10 J 1/16W	K2,K3,C3	R60			RK73GB1J104J	CHIP R 100K J 1/16W	
R4			RK73GB1J220J	CHIP R 22 J 1/16W	K,E,C	R61			R92-2687-05	RESISTOR 5.6 J 5W	
R6			RK73GB1J100J	CHIP R 10 J 1/16W	C6	R62			RK73GB1J102J	CHIP R 1.0K J 1/16W	
R6			RK73GB1J100J	CHIP R 10 J 1/16W	K2,K3,C3	R63			RK73GB1J222J	CHIP R 2.2K J 1/16W	
R6			RK73GB1J470J	CHIP R 47 J 1/16W	K,E,C	R72			RK73GB1J184J	CHIP R 180K J 1/16W	K,K2,E,C
R7			RK73GB1J682J	CHIP R 6.8K J 1/16W		R72			RK73GB1J184J	CHIP R 180K J 1/16W	K3,C3
R8			RK73FB2A100J	CHIP R 10 J 1/10W		R72			RK73GB1J274J	CHIP R 270K J 1/16W	C6
R9			RK73FB2A220J	CHIP R 22 J 1/10W		VR1			R12-6429-05	TRIMMING POT. (100K)	
R11			RK73GB1J104J	CHIP R 100K J 1/16W	K,K2,E,C	K1			S76-0426-05	RELAY	
R11			RK73GB1J333J	CHIP R 33K J 1/16W	K3,C3,C6	D2			02DZ6.2(Y)	ZENER DIODE	
R12			RK73GB1J153J	CHIP R 15K J 1/16W	K3,C3,C6	D4,5			HSM88AS	DIODE	
R12			RK73GB1J183J	CHIP R 18K J 1/16W	K,K2,E,C	D7			ZSA5A27	ZENER DIODE	
R13			RK73FB2A220J	CHIP R 22 J 1/10W	K3,C3,C6	D8			RB051L-40	DIODE	
R13			RK73FB2A470J	CHIP R 47 J 1/10W	K,K2,E,C	D9			MINISMDCC050-02	VARISTOR	
R14			R92-0700-05	CHIP R 180 J 1/2W	C6	D10			1SS355	DIODE	
R14			R92-2571-05	CHIP R 270 J 1/2W	K,K2,E,C	D51,52			DSA3A1	DIODE	
R14			R92-2571-05	CHIP R 270 J 1/2W	K3,C3	IC1			TK11050M	ANALOG IC	
R15			R92-0686-05	CHIP R 33 J 1/2W	C6	IC2			NJM78L05UA	BI-POLAR IC	
R15			R92-1259-05	CHIP R 18 J 1/2W	K,K2,E,C	IC3			TA75W01FU	MOS IC	
R15			R92-1259-05	CHIP R 18 J 1/2W	K3,C3	Q1			2SC5110(O)	TRANSISTOR	
R16			R92-0700-05	CHIP R 180 J 1/2W	C6	Q2			2SC3356(R24)	TRANSISTOR	
R16			R92-2571-05	CHIP R 270 J 1/2W	K,K2,E,C	Q3			2SK2596	FET	
R16			R92-2571-05	CHIP R 270 J 1/2W	K3,C3	Q4			PD55008S	DRIVE FET	
R17			RK73FB2A154J	CHIP R 150K J 1/10W		Q5			RD60HUF1-01	FINAL FET	
R18			RK73EB2B101J	CHIP R 100 J 1/8W		Q8			2SC4116(Y)	TRANSISTOR	
R19			RK73FB2A104J	CHIP R 100K J 1/10W		Q9			DTD123EK	DIGITAL TRANSISTOR	
R20,21			R92-1252-05	CHIP R 0 OHM J 1/16W		TH1			PTH9M04BE471TS	THERMISTOR	

TKR-850 PC BOARD

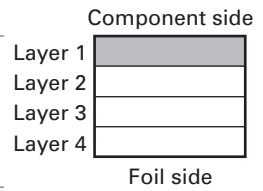
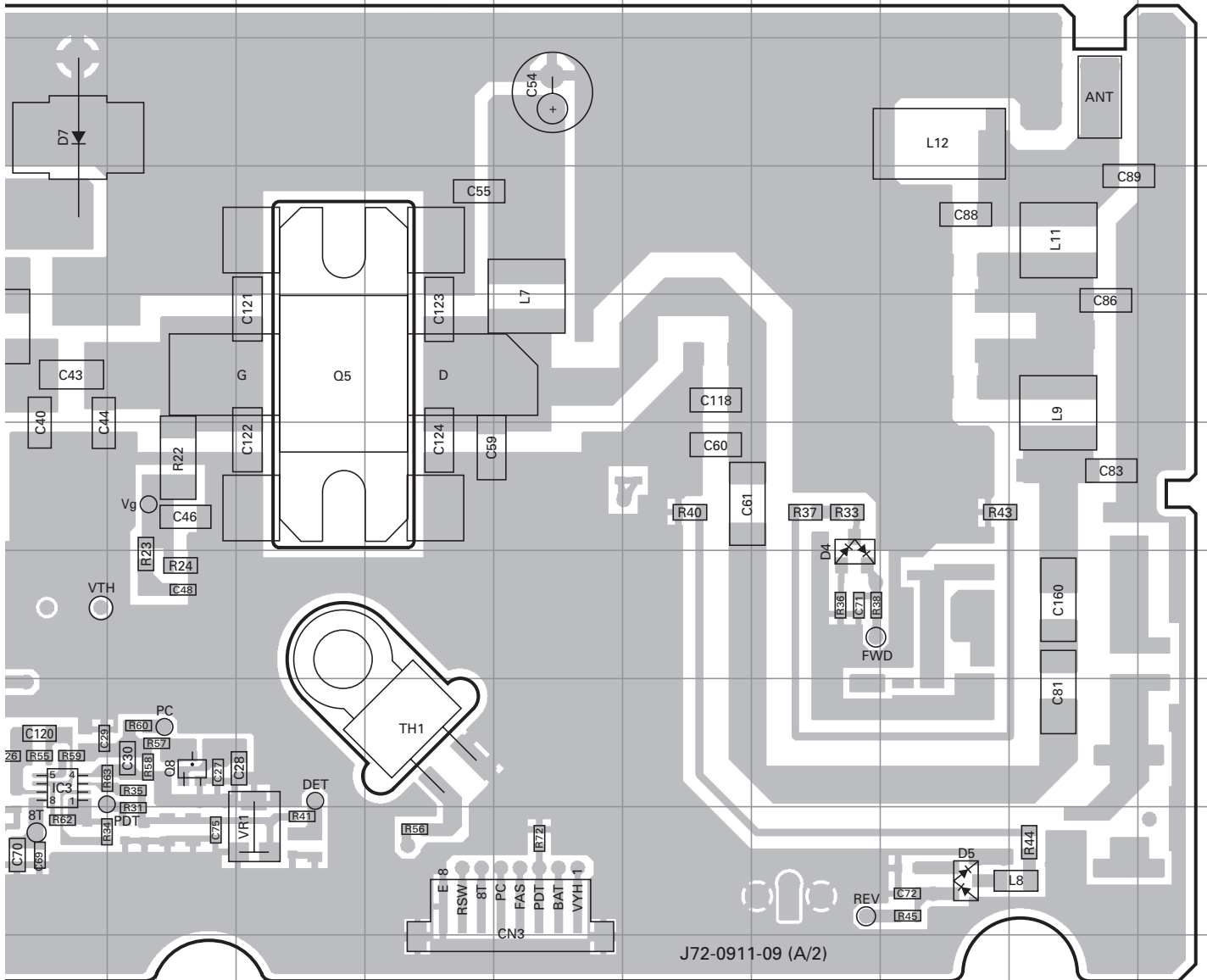
FINAL UNIT (X45-374X-XX) 0-10 : K,E,C 0-11 : K2 0-12 : K3,C3 3-01 : C6
 Component side view (J72-0911-09)



Ref. No.	Address	Ref. No.	Address	Ref. No.	Address	Ref. No.	Address
IC3	8J	Q4	6I	D4	7P	D9	6E
Q1	9H	Q5	5L	D5	9Q	D51	7B
Q2	9G	Q8	8K	D7	3J	D52	8B
Q3	8F	D2	8I	D8	6E		

PC BOARD TKR-850

FINAL UNIT (X45-374X-XX) 0-10 : K,E,C 0-11 : K2 0-12 : K3,C3 3-01 : C6
 Component side view (J72-0911-09)

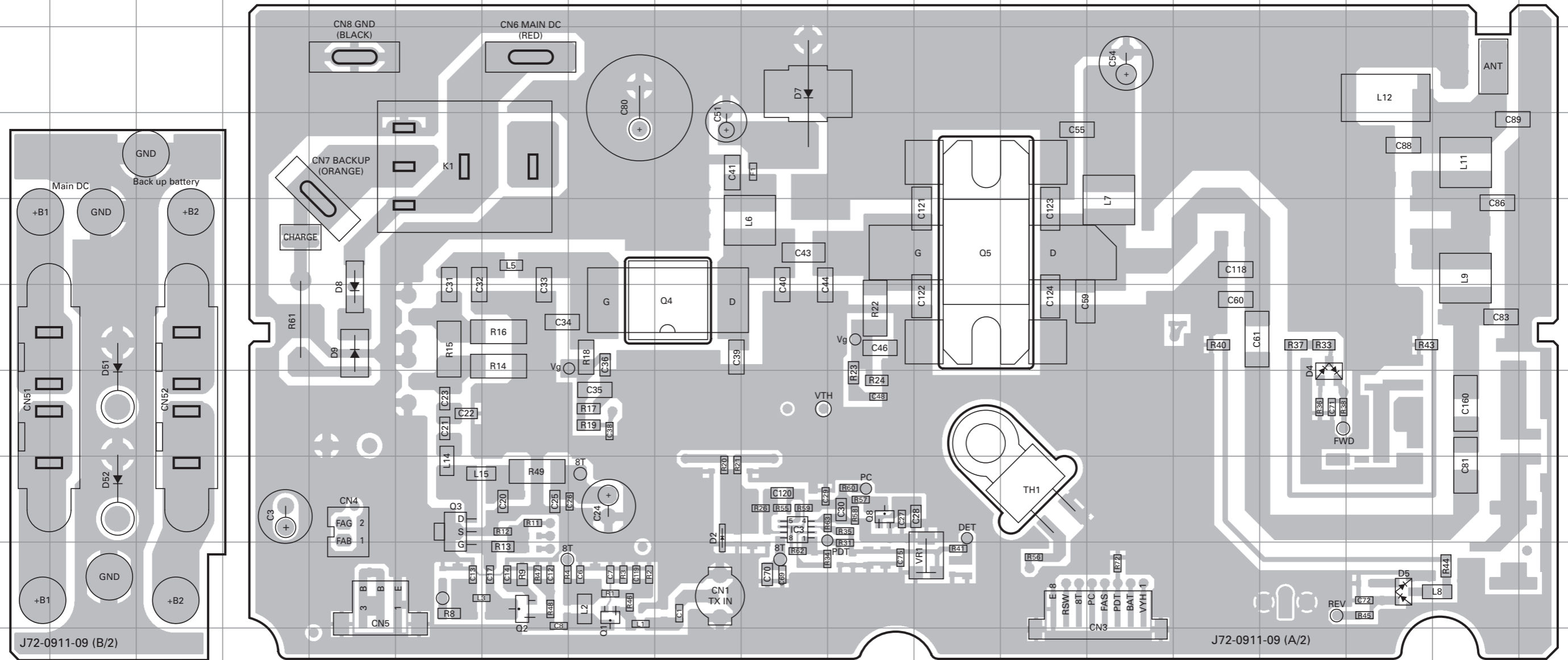


TKR-850 PC BOARD

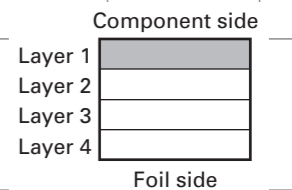
PC BOARD TKR-850

FINAL UNIT (X45-374X-XX) 0-10 : K,E,C 0-11 : K2 0-12 : K3,C3 3-01 : C6
Component side view (J72-0911-09)

FINAL UNIT (X45-374X-XX) 0-10 : K,E,C 0-11 : K2 0-12 : K3,C3 3-01 : C6
Component side view (J72-0911-09)

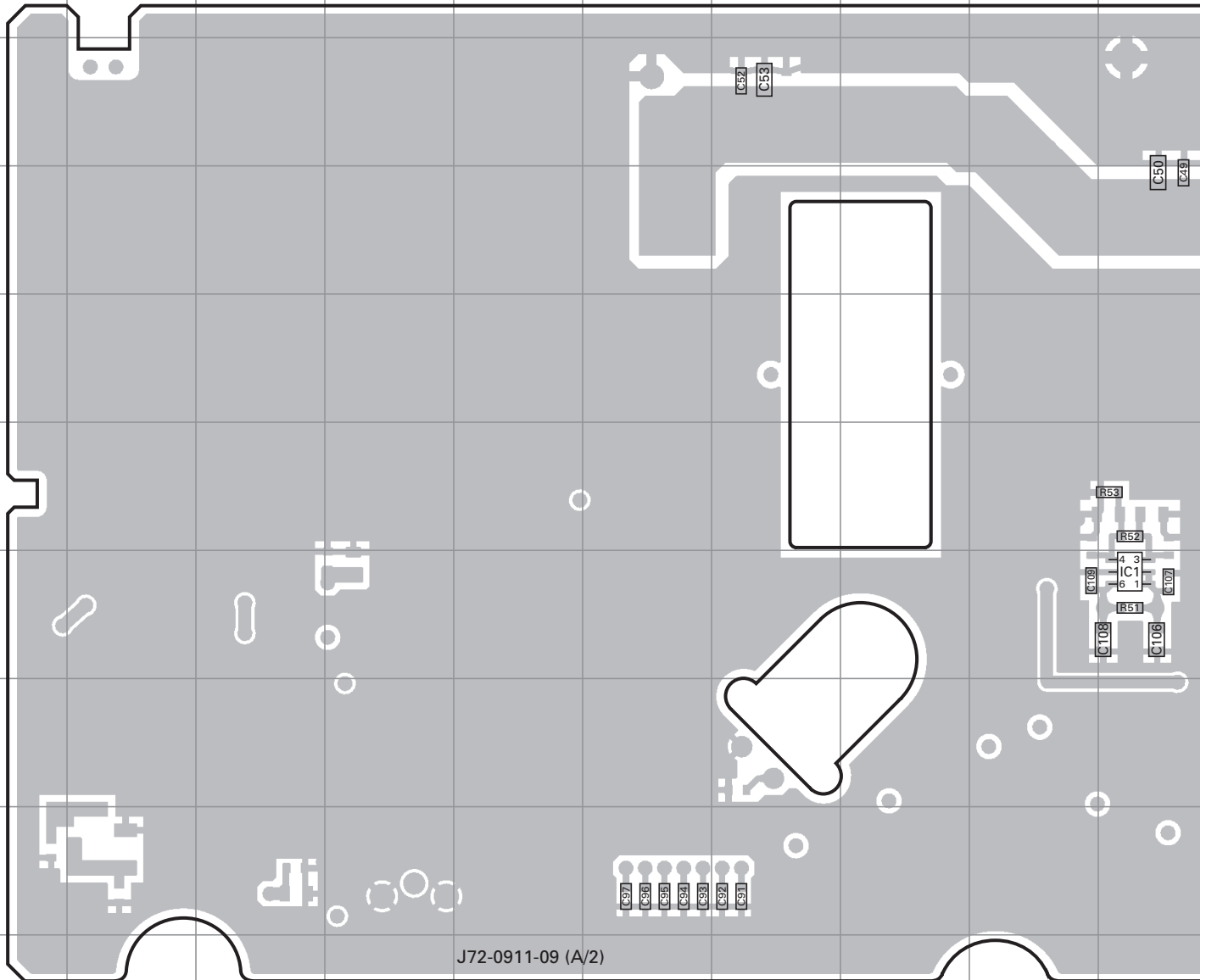


Ref. No.	Address	Ref. No.	Address	Ref. No.	Address	Ref. No.	Address
IC3	8J	Q4	6I	D4	7P	D9	6E
Q1	9H	Q5	5L	D5	9Q	D51	7B
Q2	9G	Q8	8K	D7	3J	D52	8B
Q3	8F	D2	8I	D8	6E		



TKR-850 PC BOARD

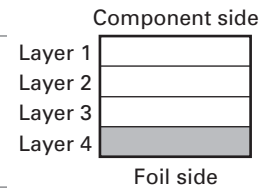
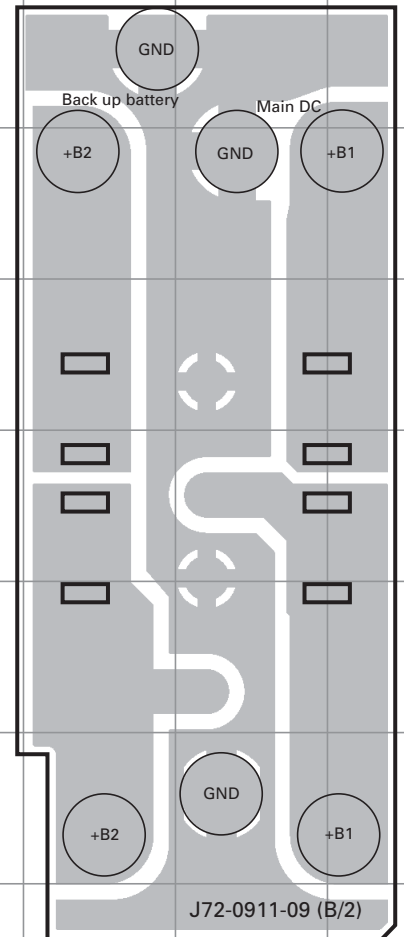
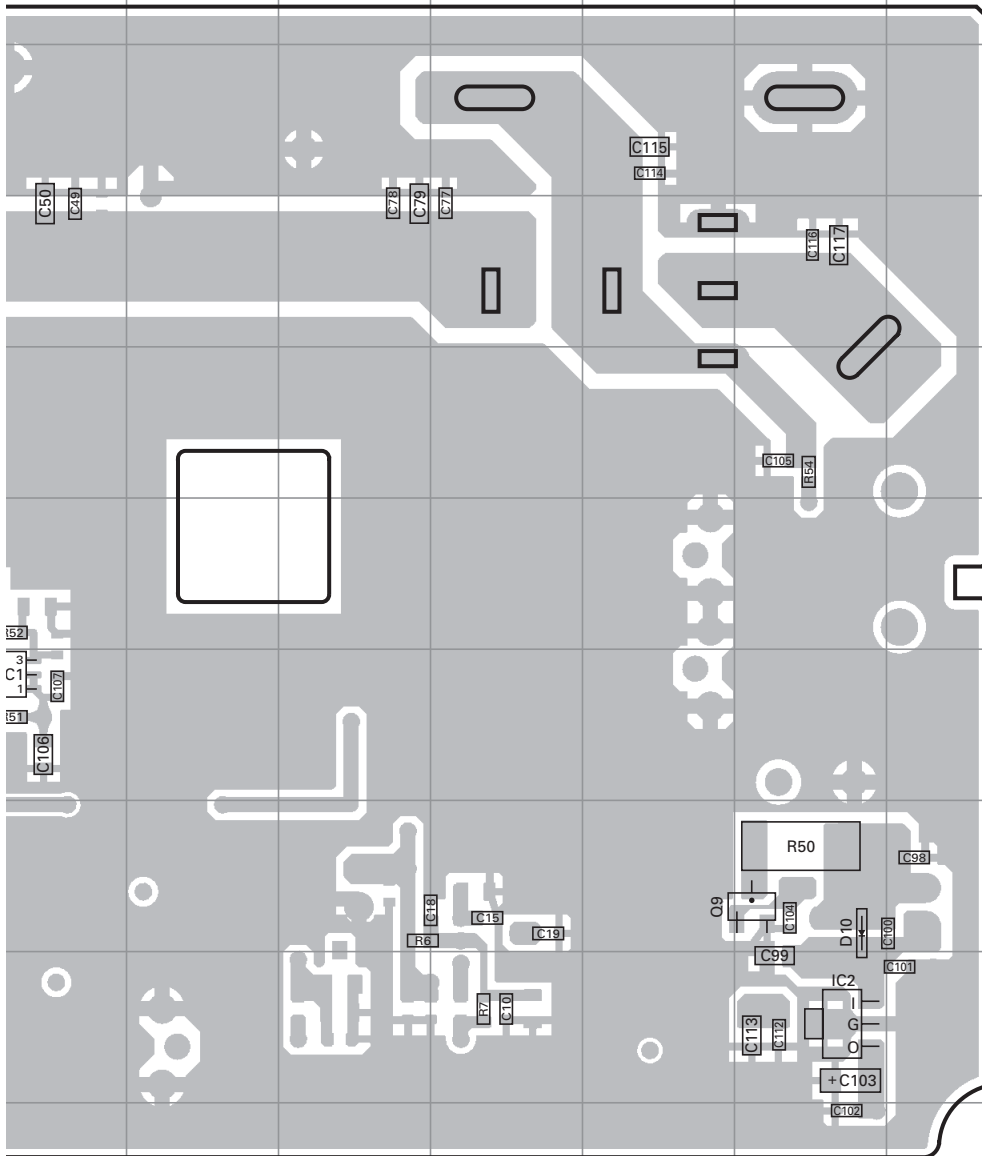
FINAL UNIT (X45-374X-XX) 0-10 : K,E,C 0-11 : K2 0-12 : K3,C3 3-01 : C6
 Foil side view (J72-0911-09)



Ref. No.	Address
IC1	7J
IC2	9O
Q9	8O
D10	8O

PC BOARD TKR-850

FINAL UNIT (X45-374X-XX) 0-10 : K,E,C 0-11 : K2 0-12 : K3,C3 3-01 : C6
 Foil side view (J72-0911-09)

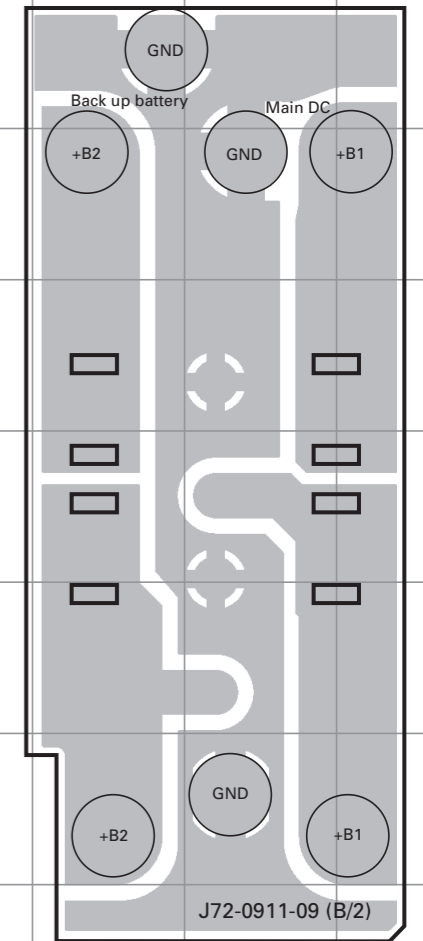
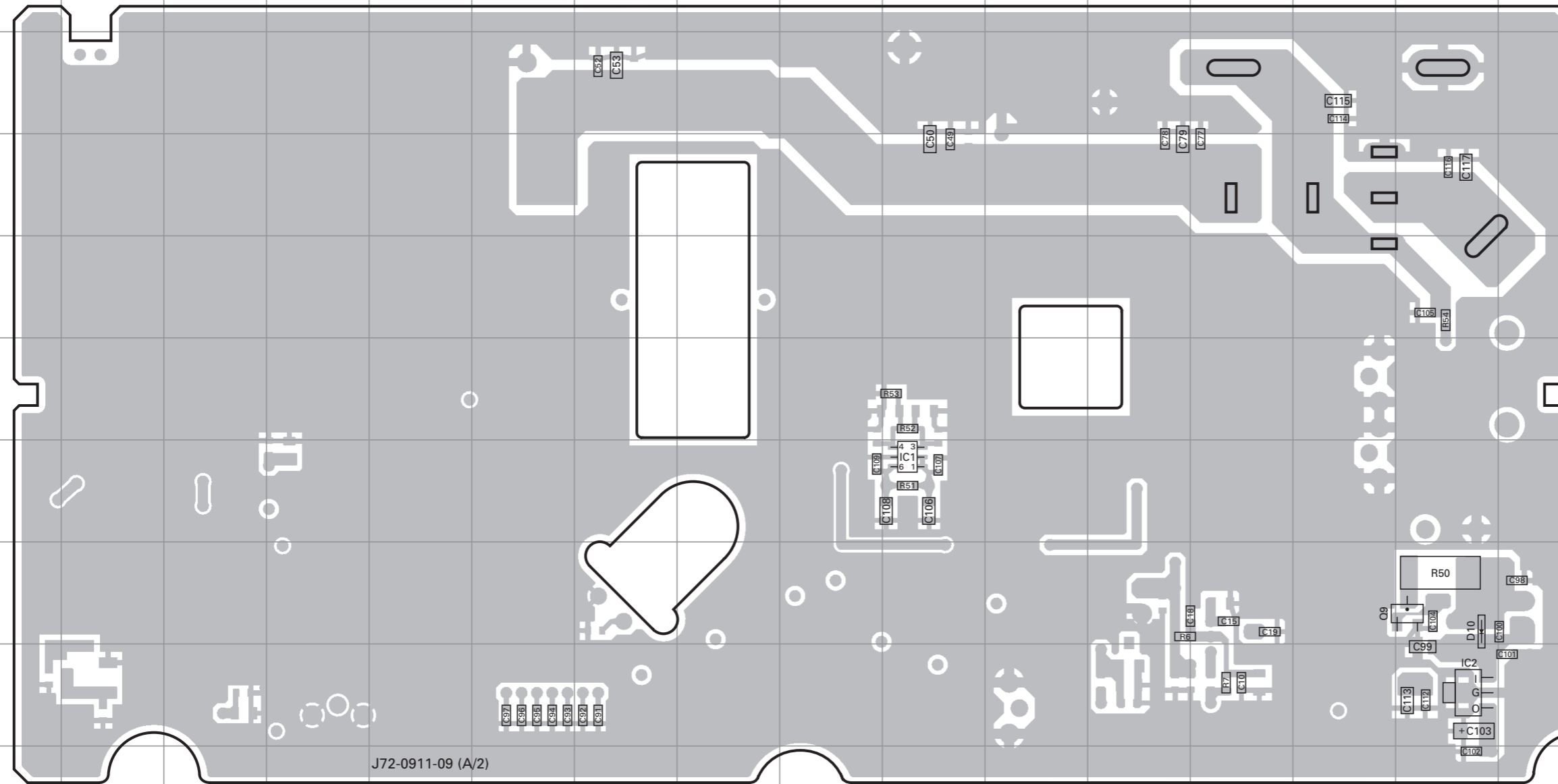


TKR-850 PC BOARD

PC BOARD TKR-850

FINAL UNIT (X45-374X-XX) 0-10 : K,E,C 0-11 : K2 0-12 : K3,C3 3-01 : C6
Foil side view (J72-0911-09)

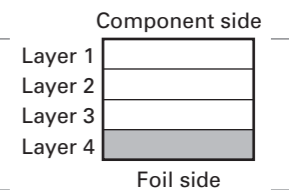
FINAL UNIT (X45-374X-XX) 0-10 : K,E,C 0-11 : K2 0-12 : K3,C3 3-01 : C6
Foil side view (J72-0911-09)



J72-0911-09 (A/2)

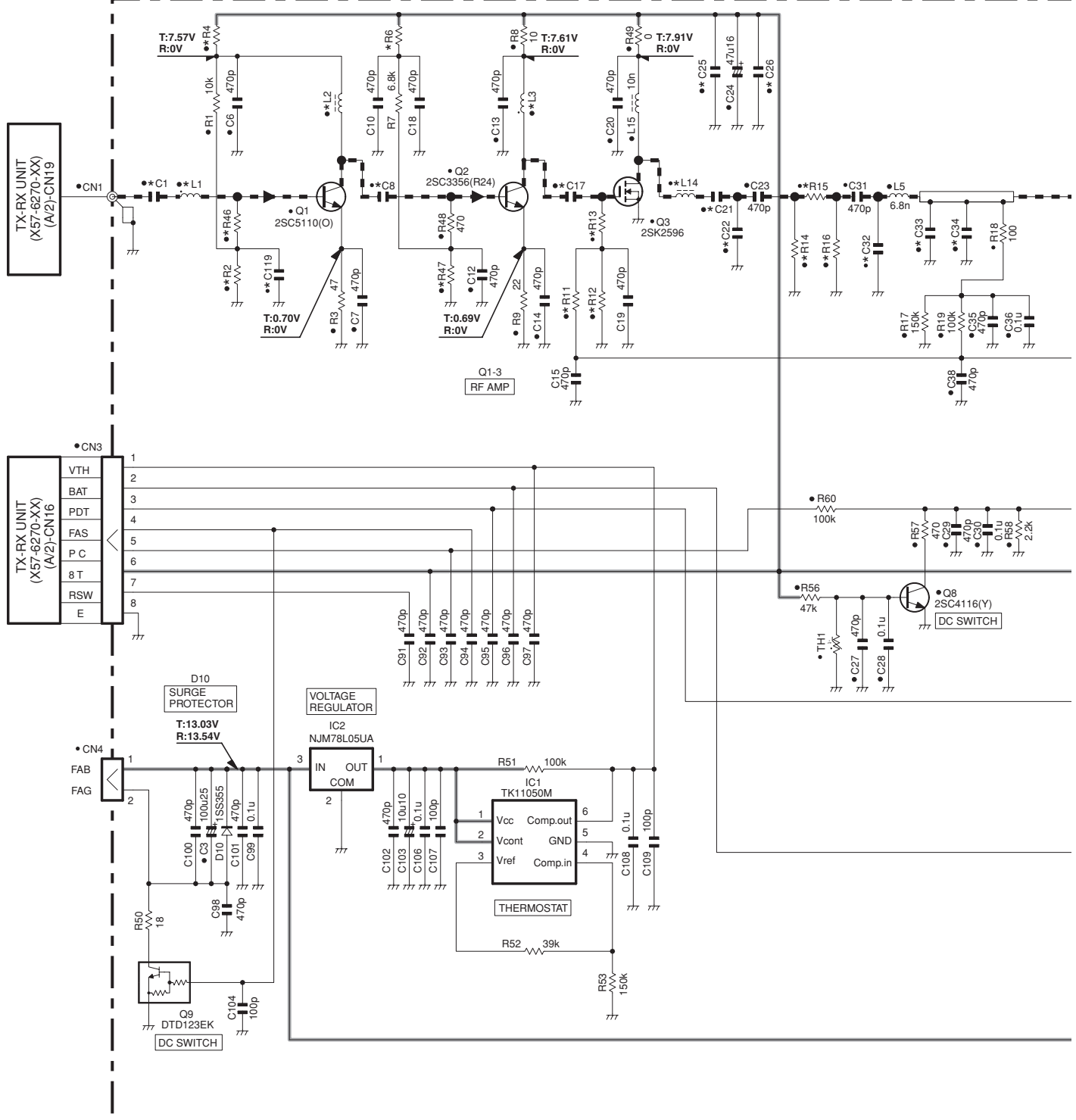
J72-0911-09 (B/2)

Ref. No.	Address
IC1	7J
IC2	9O
Q9	8O
D10	8O



TKR-850 SCHEMATIC DIAGRAM

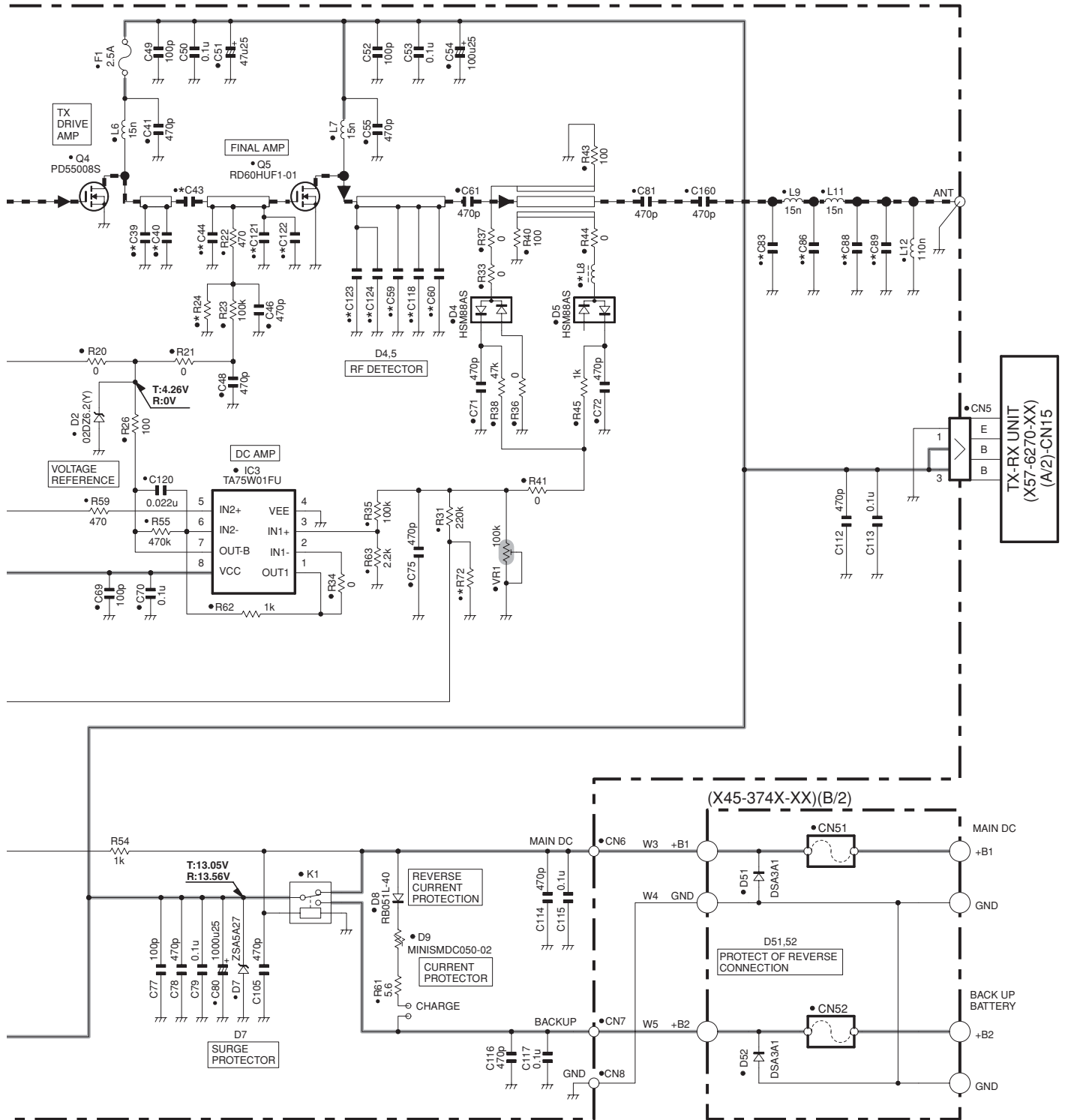
FINAL UNIT (X45-374X-XX)(A/2)



X45-374X-XX	L1	L2	L3	L8	L14	R2	R4	R6	R11	R12	R13	R14	R15	R16	R24	R46	R47	R72	C1	C8	C17	C21	C22	C25	
0-10	K,E,C	10n	10n	18n	39n	15n	2.2k	22	47	100k	18k	47	270	18	270	100k	470	2.2k	180k	470p	8p	5p	12p	6p	No
0-11	K2	10n	18n	4.7n	39n	10n	4.7k	10	10	100k	18k	47	270	18	270	120k	0	3.3k	180k	10p	3p	27p	12p	9p	No
0-12	K3,C3	3.9n	27n	8.2n	68n	10n	4.7k	10	10	33k	15k	22	270	18	270	100k	0	3.3k	180k	10p	10p	56p	22p	12p	No
3-01	C6	3.9n	27n	8.2n	100n	10n	4.7k	10	10	33k	15k	22	180	33	180	100k	0	3.3k	270k	10p	10p	56p	22p	12p	0.1μ

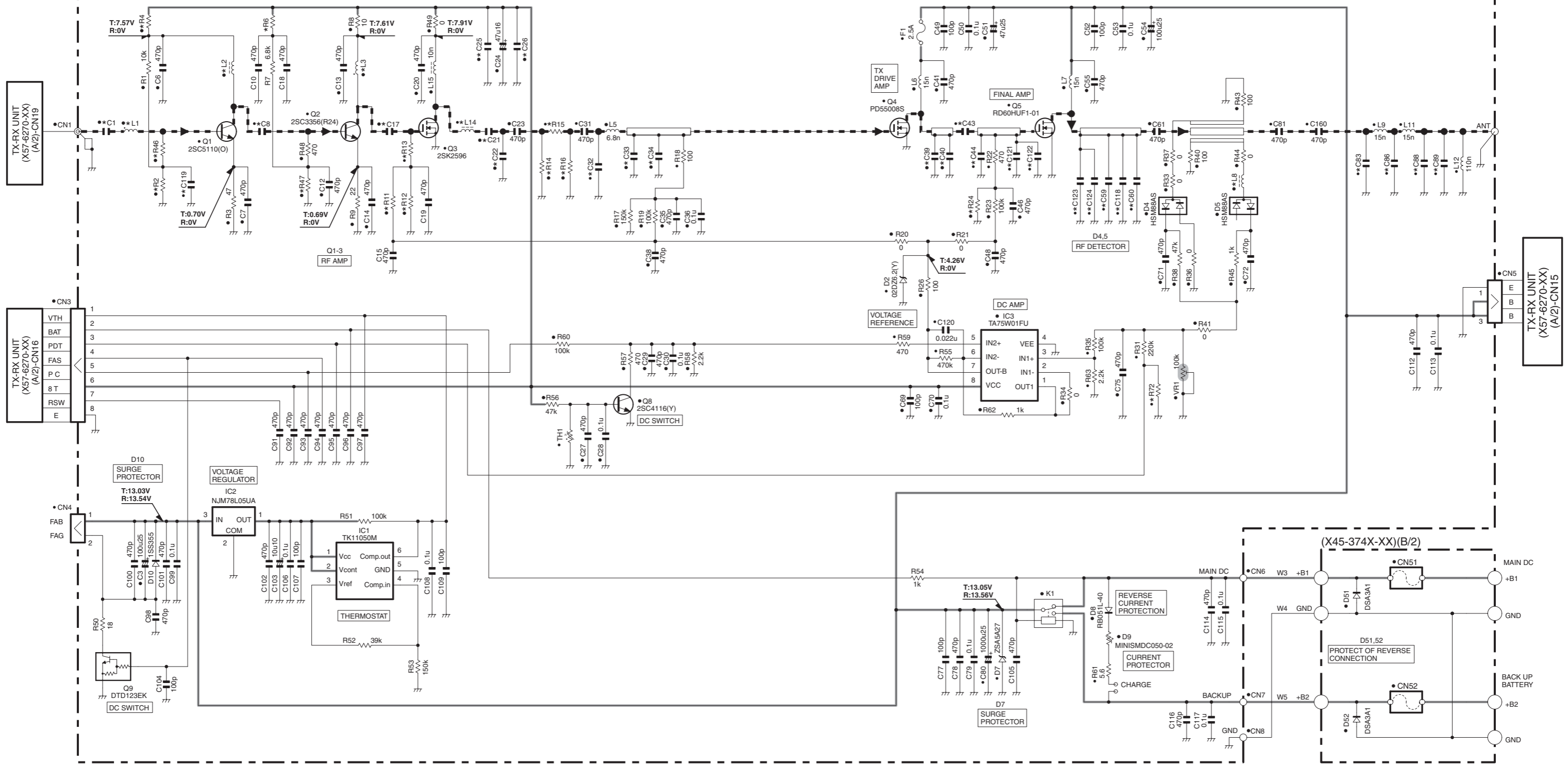
SCHEMATIC DIAGRAM TKR-850

Note : The components marked with a dot (•) are parts of layer 1.



X45-374X-XX	C26	C32	C33	C34	C39	C40	C43	C44	C59	C60	C83	C86	C88	C89	C118	C119	C121	C122	C123	C124	
0-10	K,E,C	470p	8p	33p	33p	No	30p	18p	6p	10p	No	6p	10p	No	5p	5p	470p	15p	15p	22p	22p
0-11	K2	470p	6p	33p	33p	No	30p	12p	No	9p	6p	5p	8p	No	5p	No	No	18p	18p	24p	18p
0-12	K3,C3	100p	8p	39p	39p	18p	No	22p	10p	12p	8p	7p	12p	6p	No	No	No	18p	18p	27p	27p
3-01	C6	100p	10p	47p	47p	22p	No	39p	10p	27p	10p	10p	18p	No	10p	No	No	22p	22p	27p	27p

FINAL UNIT
(X45-374X-XX)(A/2)



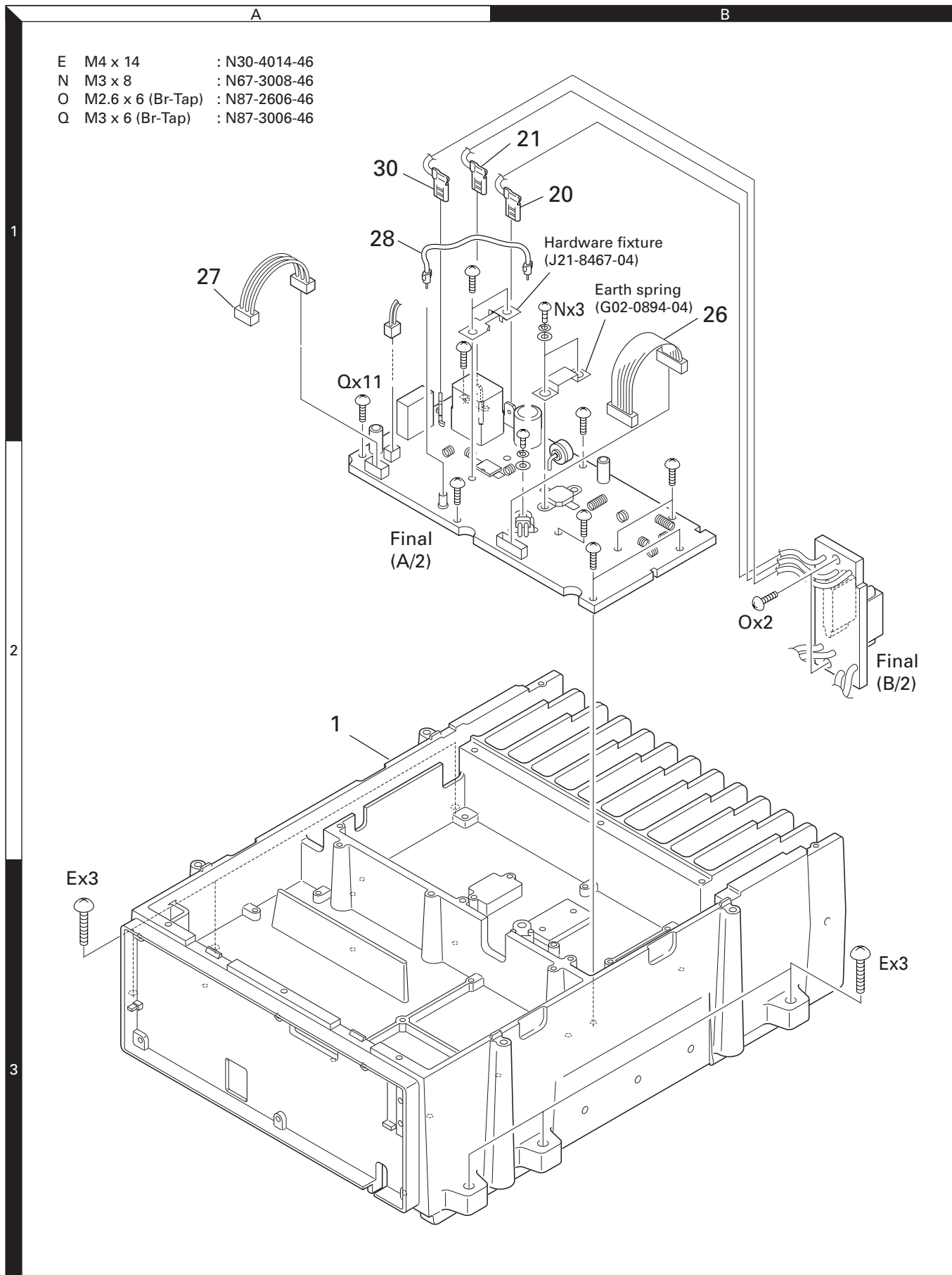
X45-374X-XX	L1	L2	L3	L8	L14	R2	R4	R6	R11	R12	R13	R14	R15	R16	R24	R46	R47	R72	C1	C8	C17	C21	C22	C25	
0-10	K,E,C	10n	10n	18n	39n	15n	2.2k	22	47	100k	18k	47	270	18	270	100k	470	2.2k	180k	470p	8p	5p	12p	6p	No
0-11	K2	10n	18n	4.7n	39n	10n	4.7k	10	10	100k	18k	47	270	18	270	120k	0	3.3k	180k	10p	3p	27p	12p	9p	No
0-12	K3,C3	3.9n	27n	8.2n	68n	10n	4.7k	10	10	33k	15k	22	270	18	270	100k	0	3.3k	180k	10p	10p	56p	22p	12p	No
3-01	C6	3.9n	27n	8.2n	100n	10n	4.7k	10	10	33k	15k	22	180	33	180	100k	0	3.3k	270k	10p	10p	56p	22p	12p	0.1μ

X45-374X-XX	C26	C32	C33	C34	C39	C40	C43	C44	C59	C60	C83	C86	C88	C89	C118	C119	C121	C122	C123	C124	
0-10	K,E,C	470p	8p	33p	33p	No	30p	18p	6p	10p	No	6p	10p	No	5p	5p	470p	15p	15p	22p	22p
0-11	K2	470p	6p	33p	33p	No	30p	12p	6p	6p	6p	5p	8p	No	5p	No	18p	18p	24p	18p	
0-12	K3,C3	100p	8p	39p	39p	18p	No	22p	10p	12p	8p	7p	12p	6p	No	No	18p	18p	27p	27p	
3-01	C6	100p	10p	47p	47p	22p	No	39p	10p	27p	10p	18p	No	10p	No	No	22p	22p	27p	27p	

TKR-850

EXPLODED VIEW

- | | | | |
|---|-------------------|---|-------------|
| E | M4 x 14 | : | N30-4014-46 |
| N | M3 x 8 | : | N67-3008-46 |
| O | M2.6 x 6 (Br-Tap) | : | N87-2606-46 |
| Q | M3 x 6 (Br-Tap) | : | N87-3006-46 |



SPECIFICATIONS (K,K2,K3,C,C3,C6 TYPE)**GENERAL**

Frequency Range	K,C : 450 to 480MHz	K2 : 480 to 512MHz
	K3,C3 : 400 to 430MHz	C6 : 350 to 390MHz
Number of Channels	16 channel	
Channel Spacing	Wide : 25kHz	Narrow : 12.5kHz
	(PLL channel stepping 5kHz/6.25kHz)	
Operating Voltage	13.6V DC±15%	
Current Drain		
Standby	0.8A	
Standby w/power save	0.3A (Operating mode DC-IN : Backup, FAN : Temp, SAVE : ON, DISP : OFF)	
Receive	1.2A	
Transmit/Receive	Less than 13A	
Duty Cycle		
Receive	100%	
Transmit	100% (100% @25W)	
Frequency Stability	Less than ±0.00015% -30°C to +60°C (-22°F to +140°F)	
Antenna Impedance	50Ω	
Operating Temperature Range	-30°C to +60°C (-22°F to +140°F)	
Dimensions	483 (19) W x 88 (3-1/2) H x 340 (13-1/3) D mm (inch)	
Weight	9.7kg (21.4 lbs.)	

RECEIVER (Measured by TIA/EIA-603)

Sensitivity		
12dB SINAD	0.35μV	
20dB Quieting	0.45μV	
Selectivity	Wide : 83dB (±25kHz)	Narrow : 75dB (12.5kHz)
Intermodulation	Wide : 78dB (±25kHz/±50kHz)	Narrow : 75dB (±12.5kHz/±25kHz)
Hum and Noise	Wide : 50dB	Narrow : 45dB
Spurious & Image Rejection	90dB	
Audio Output (Ext. Speaker)	4W at 4Ω less than 5% distortion	
Audio Distortion (Ext. Speaker)	Less than 2.5% at 1000Hz	
Band Spread	K,K2,C : 5MHz	K3,C3,C6 : 3MHz

TRANSMITTER (Measured by TIA/EIA-603)

RF Power Output	40W adjustable to 25W (100% duty @25W)		
Type of Emission	K,K2,K3 : Wide : 16K0F3E	Narrow : 11K0F3E	
	C,C3,C6 : Wide : 16K0F3E	Narrow : 8K50F3E	
Spurious Response	Harmonics : 80dB	Others : 75dB	
FM Hum and Noise	Wide : 50dB	Narrow : 45dB	
Audio Distortion	Less than 3% at 1000Hz		
Microphone Impedance	600Ω		
Band Spread	K,K3,C,C3 : 30MHz	K2 : 32MHz	C6 : 40MHz

TKR-850

SPECIFICATIONS (E TYPE)

GENERAL

Frequency Range	440 to 470MHz
Number of Channels	16 channel
Channel Spacing.....	Wide : 25kHz Narrow : 12.5kHz (PLL channel stepping 5kHz/6.25kHz)
Operating Voltage	13.2V DC
Current Drain	
Standby	0.8A
Standby w/power save	0.3A (Operating mode DC-IN : Backup, FAN : Temp, SAVE : ON, DISP : OFF)
Receive	1.2A
Transmit/Receive	Less than 13A
Duty Cycle	Receive : 100% Transmit : 100% (100% @25W)
Frequency Stability	Less than $\pm 0.00015\%$ -30°C to $+60^{\circ}\text{C}$
Antenna Impedance	50 Ω
Operating Temperature Range.....	-30°C to $+60^{\circ}\text{C}$
Dimensions	483 W x 88 H x 340 D mm
Weight.....	9.7kg

RECEIVER (Measured by EN 300 086)

Sensitivity	0.45 μV
Adjacent Channel Selectivity	83dB ($\pm 25\text{kHz}$) 75dB ($\pm 12.5\text{kHz}$)
Intermodulation	72dB
Spurious & Image Rejection.....	90dB
Audio Output (Ext. Speaker).....	4W at 4 Ω less than 5% distortion
Audio Distortion (Ext. Speaker)	Less than 2.5% at 1000Hz
Band Spread	5MHz

TRANSMITTER (Measured by EN 300 086)

RF Power Output	40W adjustable to 25W (100% duty @25W)
Modulation Limiting	$\pm 5\text{kHz}$ at $\pm 25\text{kHz}$ $\pm 2.5\text{kHz}$ at $\pm 12.5\text{kHz}$
Spurious Emission.....	$-36\text{dBm} \leq 1\text{GHz}$ $-30\text{dBm} > 1\text{GHz}$
FM Noise (EIA)	25kHz : 50dB 12.5kHz : 45dB
Modulation Distortion	Less than 3% at 1000Hz
Microphone Impedance	600 Ω
Band Spread	30MHz

KENWOOD CORPORATION

2967-3, Ishikawa-machi, Hachioji-shi, Tokyo, 192-8525 Japan

KENWOOD U.S.A. CORPORATION

P.O. BOX 22745, 2201 East Dominguez Street, Long Beach, CA 90801-5745, U.S.A.

KENWOOD ELECTRONICS CANADA INC.

6070 Kestrel Road, Mississauga, Ontario, Canada L5T 1S8

KENWOOD ELECTRONICS DEUTSCHLAND GMBH

Rembrücker Str. 15, 63150 Heusenstamm, Germany

KENWOOD ELECTRONICS BELGIUM N.V.

Leuvensesteenweg 248 J, 1800 Vilvoorde, Belgium

KENWOOD ELECTRONICS FRANCE S.A.

13, Boulevard Ney, 75018 Paris, France

KENWOOD ELECTRONICS U.K. LIMITED

KENWOOD House, Dwight Road, Watford, Herts., WD18 9EB United Kingdom

KENWOOD ELECTRONICS EUROPE B.V.

Amsterdamseweg 37, 1422 AC Uithoorn, The Netherlands

KENWOOD ELECTRONICS ITALIA S.p.A.

Via G. Sirtori, 7/9 20129 Milano, Italy

KENWOOD IBERICA S.A.

Bolivia, 239-08020 Barcelona, Spain

KENWOOD ELECTRONICS AUSTRALIA PTY. LTD.

(A.C.N. 001 499 074)

16 Giffnock Avenue, Centrecourt Estate, North Ryde, N.S.W. 2113 Australia

KENWOOD ELECTRONICS (HONG KONG) LTD.

Unit 3712-3724, Level 37, Tower one Metroplaza, 223 Hing Fong Road, Kwai Fong, N.T., Hong Kong

KENWOOD ELECTRONICS SINGAPORE PTE LTD.

1 Genting Lane #07-00 Kenwood Building, Singapore 349544

